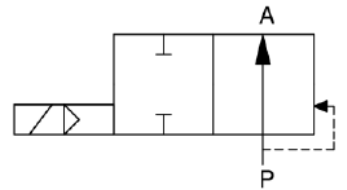


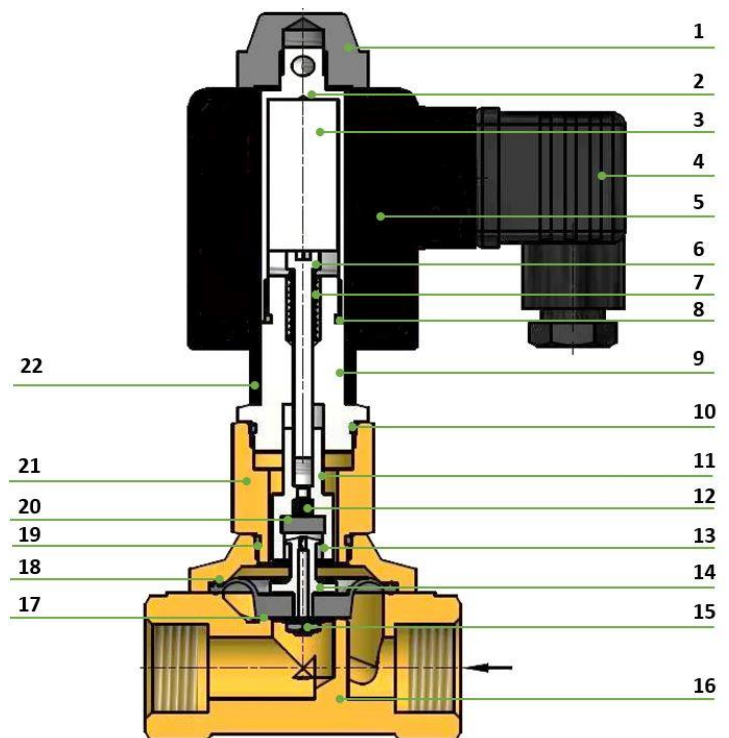
Normal position NO
Housing Brass (CW614N)
Ambient temperature -10 °C to 50 °C
Medium temperature -10 °C to 100 °C (FPM)
-20 °C to 85 °C (NBR)

Mounting position Solenoid preferably in upright position
Protection IP IP 65 (with connector socket fitted)
Electrical connection Connector socket, industrial standard type A –
EN 175301-803-A
Voltage tolerance ± 10% acc. VDE 0580
Power 230V 50Hz: 30VA
24V DC: 21W
Duty cycle 100% ED



Materials

No.	Part	Material
1	Nut	Plastic
2	Guide tube	Stainless steel
3	Plunger	Stainless steel
4	Connector socket	Plastic
5	Solenoid	Powder coated steel
6	Adjusting screw	Stainless steel
7	Spring	Stainless steel
8	O-Ring	FPM/NBR
9	Core	Stainless steel
10	O-Ring	FPM/NBR
11	Pilot spindle	Stainless steel
12	Spring	Stainless steel
13	Threaded pin	Stainless steel
14	Seat disc	Stainless steel
15	Washer, nut	Stainless steel
16	Housing	Brass
17	Diaphragm	FPM/NBR
18	Flange	Brass
19	O-Ring	FPM/NBR
20	Sealing plug	FPM/NBR
21	Intermediate piece	Brass
22	Spacer bush	Plastic



P 3-547 e

2/2-way solenoid valves

combined operation
professional standard series
Art. No. 129470 to 129483

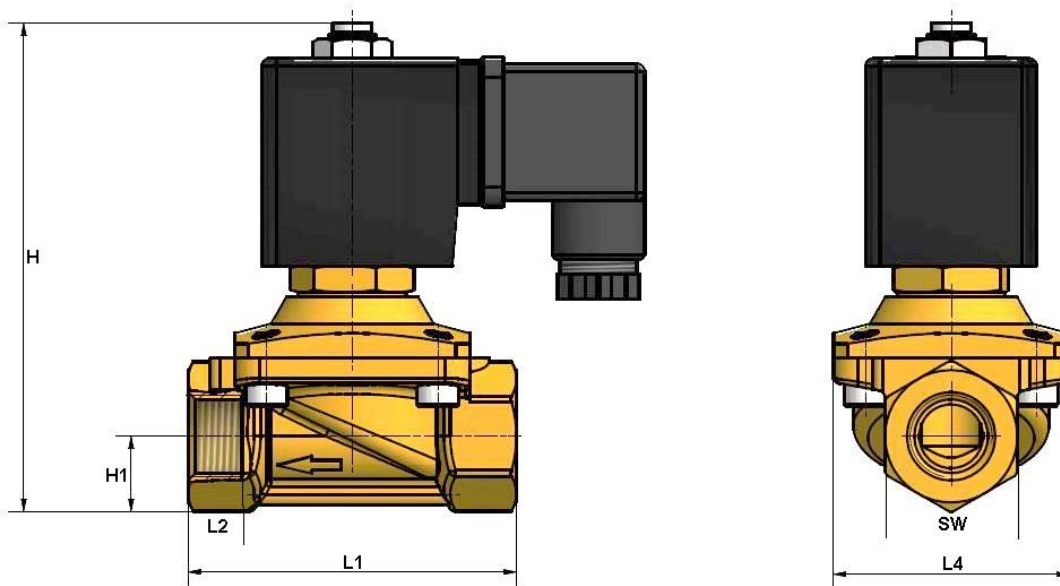


Solenoid valve, normally open, combined operation, alternating current

Art. No.	Type No.	Thread	DN	Voltage	Sealant	Operating pressure bar	Flow rate m ³ /h
129470	MVB.38.MS.230.F.RZ.13	G 3/8	13	230V AC	FPM	0 - 12	2.0
129478	MVB.38.MS.230.N.RZ.13	G 3/8	13	230V AC	NBR	0 - 12	2.0
129471	MVB.12.MS.230.F.RZ.13	G 1/2	13	230V AC	FPM	0 - 12	2.2
129479	MVB.12.MS.230.N.RZ.13	G 1/2	13	230V AC	NBR	0 - 12	2.2

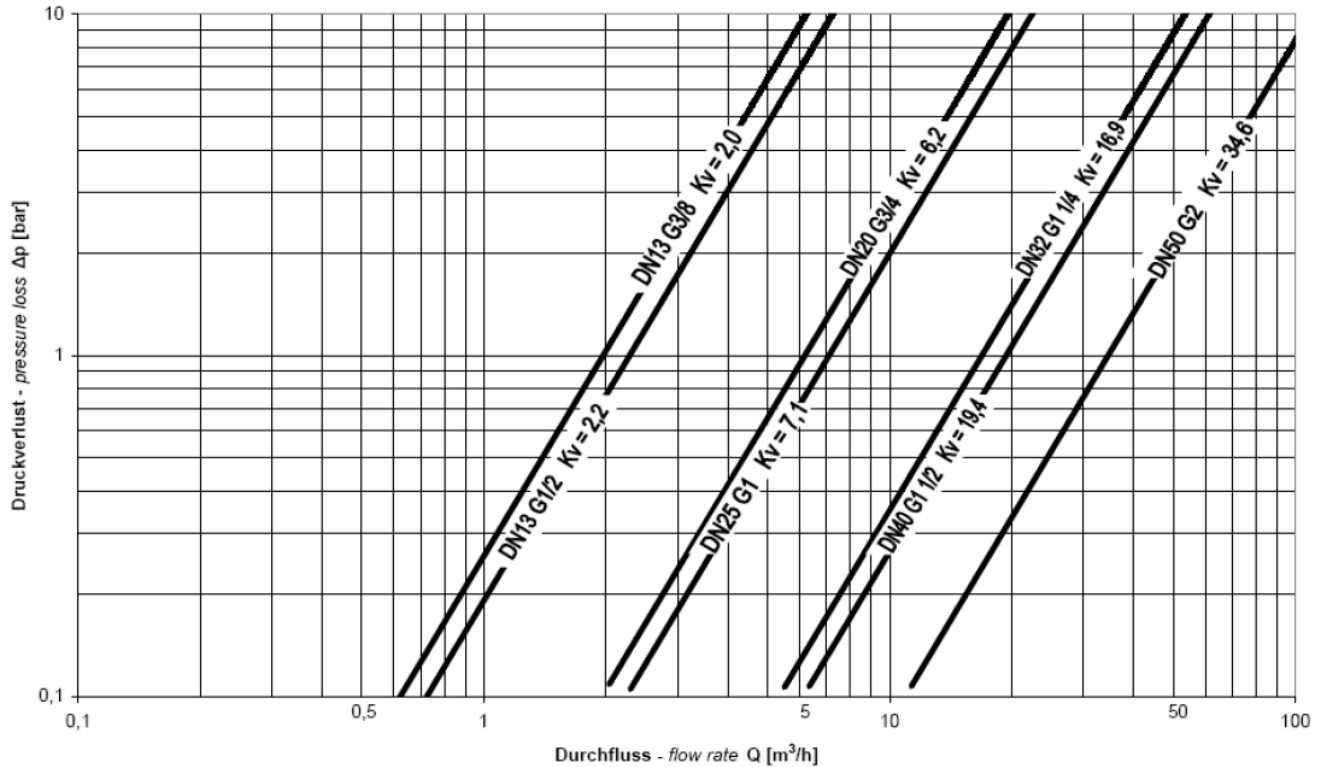
Solenoid valve, normally open, combined operation, direct current

Art. No.	Type No.	Thread	DN	Voltage	Sealant	Operating pressure bar	Flow rate m ³ /h
129474	MVB.38.MS.24D.F.RZ.13	G 3/8	13	24V DC	FPM	0 - 12	2.0
129482	MVB.38.MS.24D.N.RZ.13	G 3/8	13	24V DC	NBR	0 - 12	2.0
129475	MVB.12.MS.24D.F.RZ.13	G 1/2	13	24V DC	FPM	0 - 12	2.2
129483	MVB.12.MS.24D.N.RZ.13	G 1/2	13	24V DC	NBR	0 - 12	2.2



Dimensions

Thread	SW	H	H1	L1	L2	L4
	mm	mm	mm	mm	mm	mm
G 3/8	27	100.0	15.0	67.0	11.0	48.0
G 1/2	27	100.0	15.0	67.0	11.0	48.0

Druckverlust, K_V -Werte:
Pressure loss, K_V -value:


Umrechnung:
conversion: $C_v = K_v / 0,865$